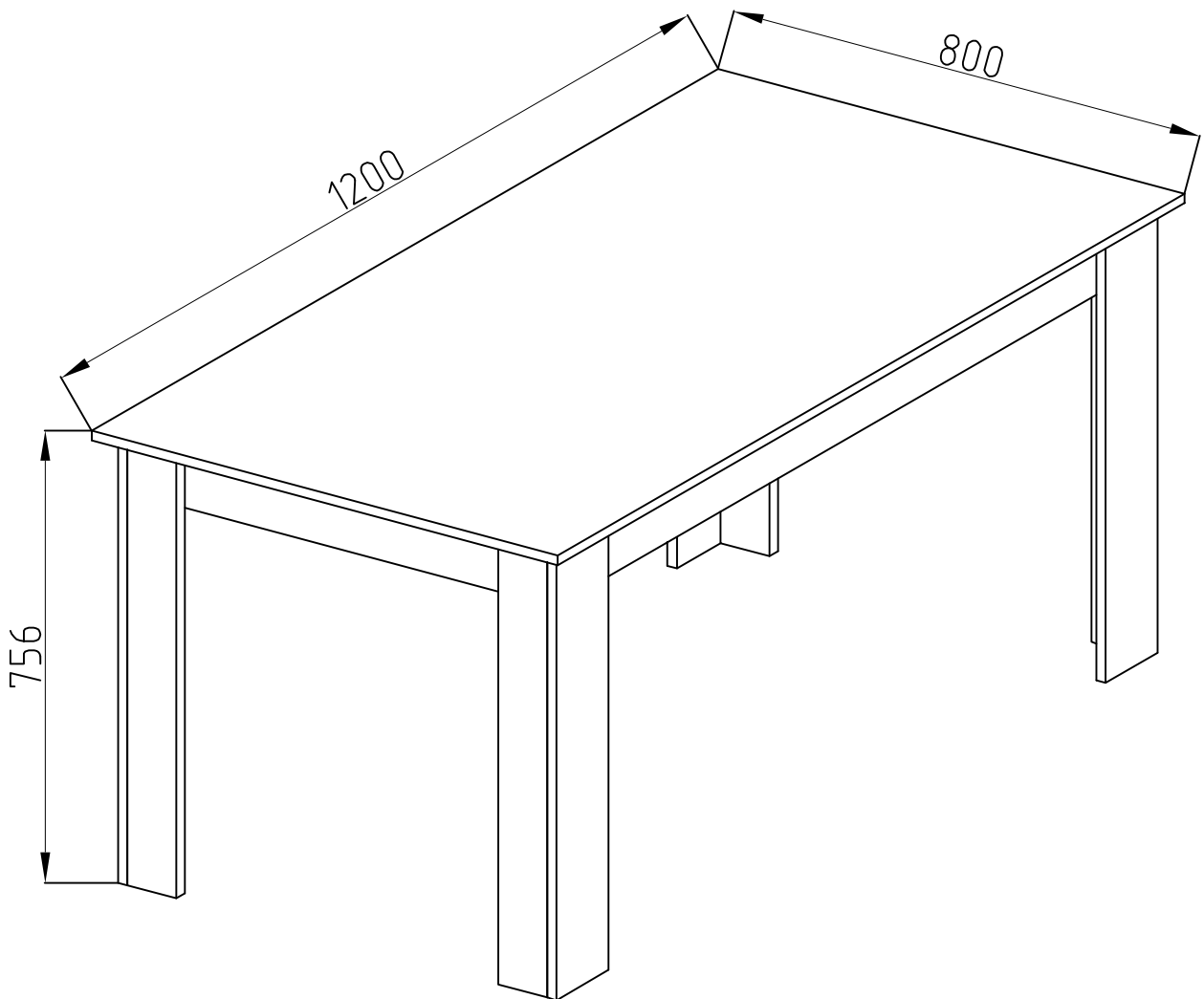
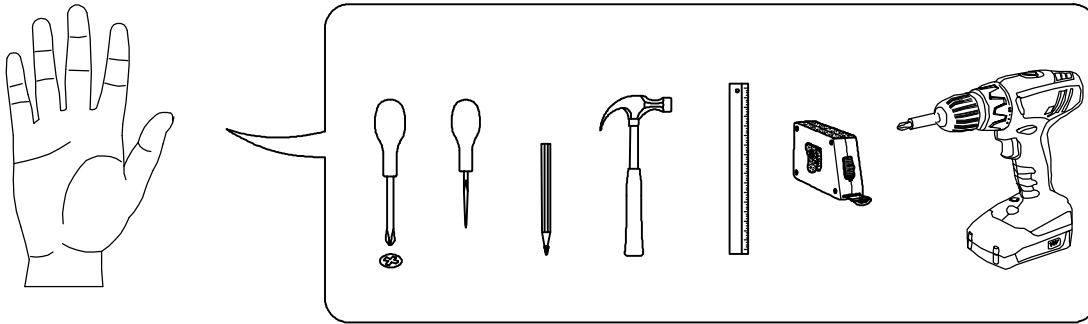

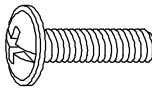
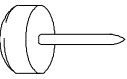
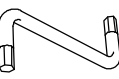

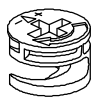
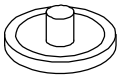
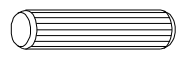



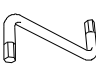

Lucy

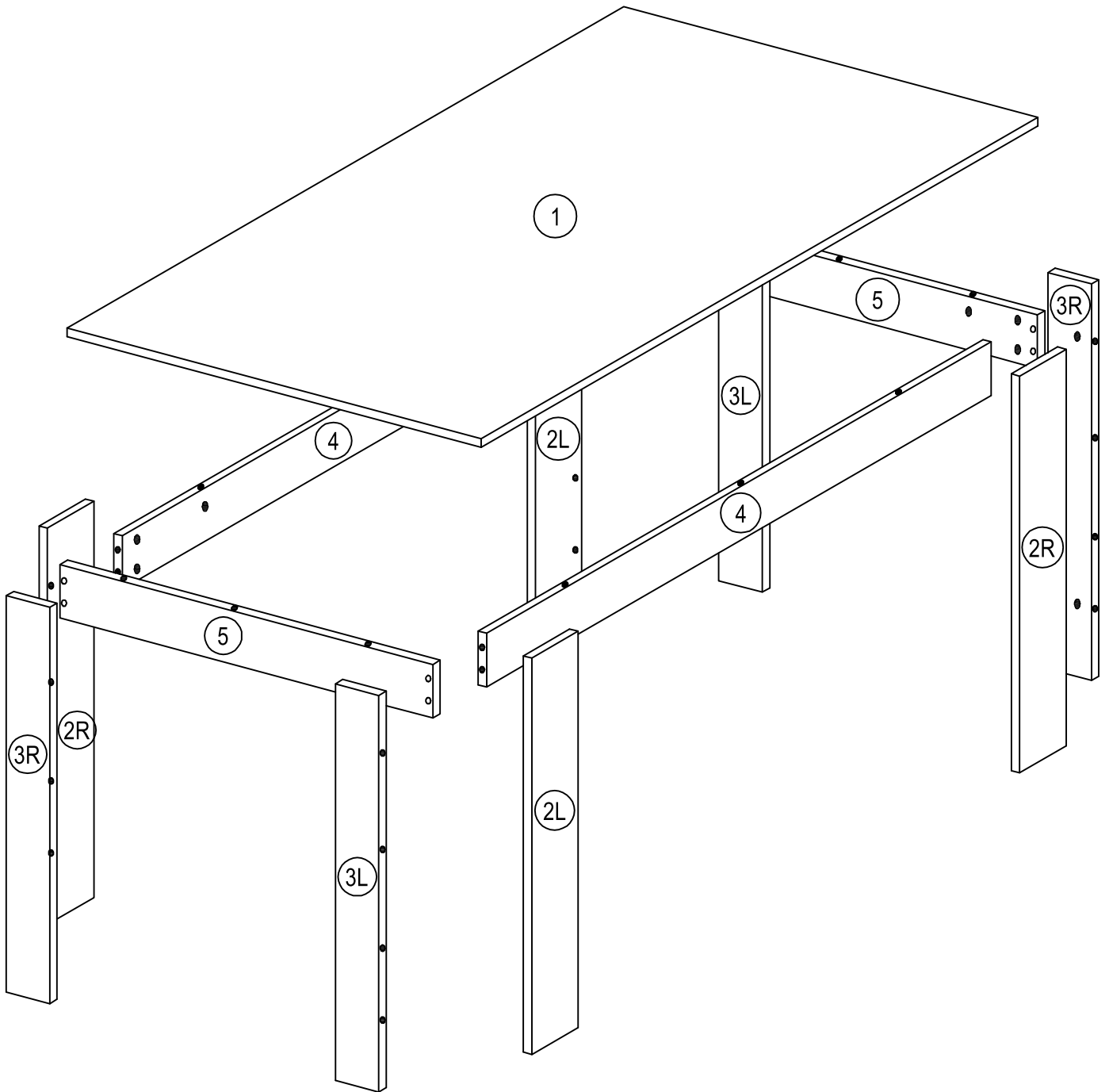
Table





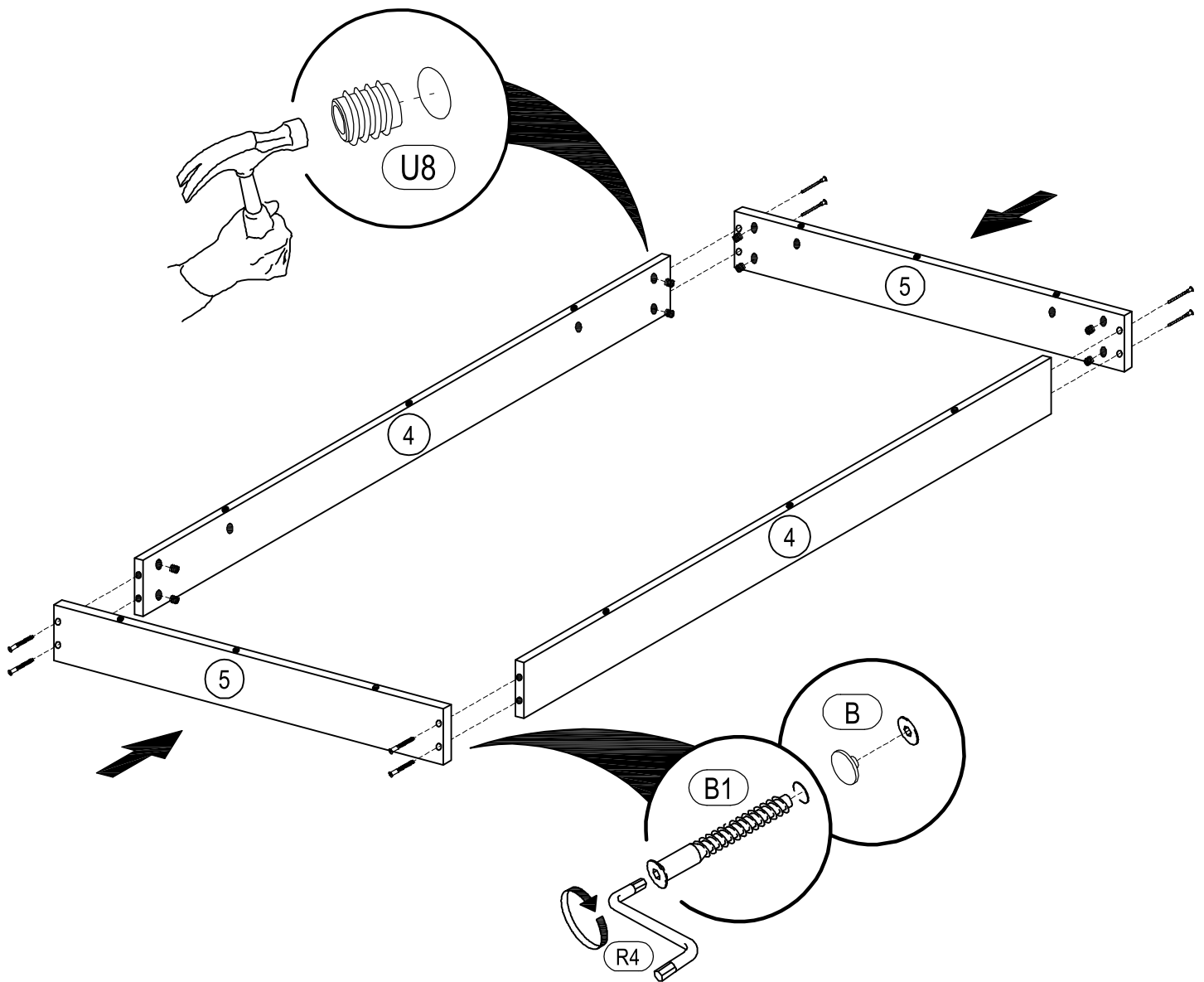


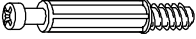



 U8 x16	 G12 M6*25mm x16	 K1 x8
 R4 N°4 x1	 C1 6*43mm x16	 D1 15/16 x16
 D ϕ 20mm x16	 A1 8*30mm x12	 B1 6,3*50mm x8

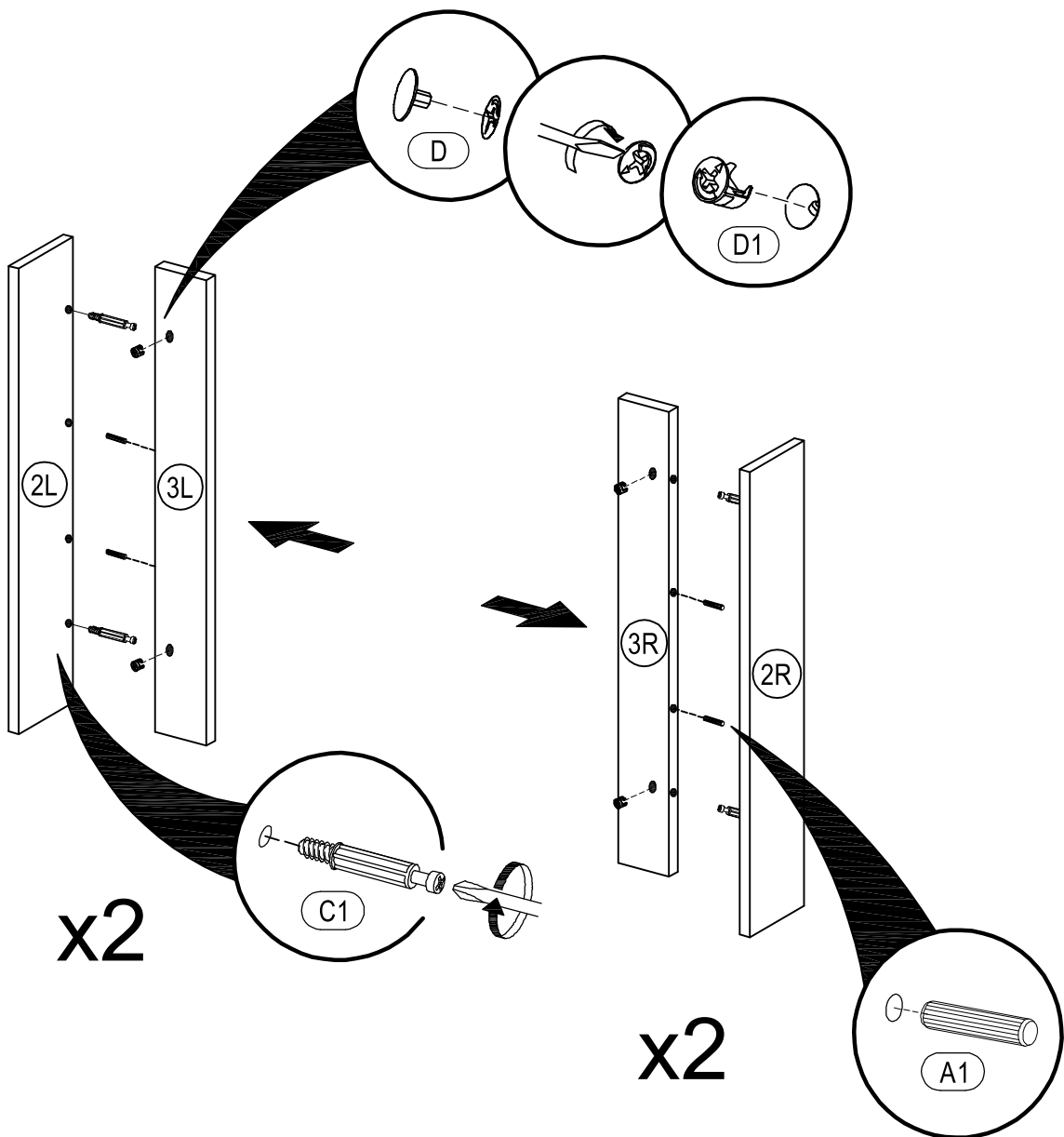
No	a*b	x
1	1200x800	1
2	740x100	4
3	740x84	4
4	1088x100	2
5	720x100	2
6	 	1

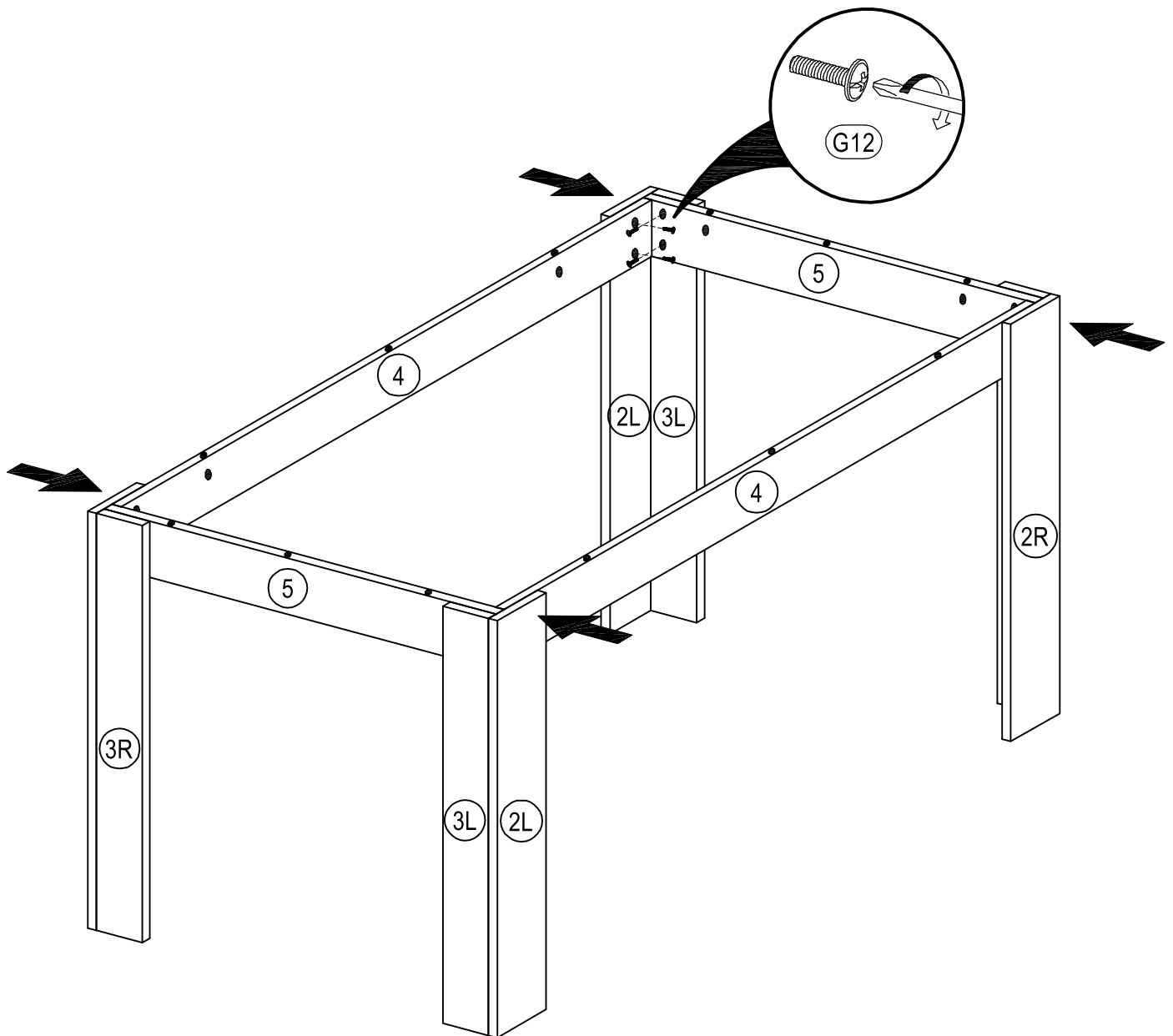
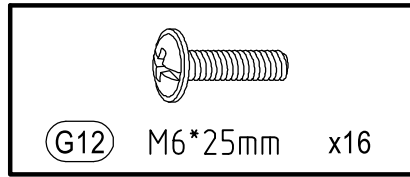


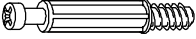

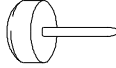

 U8 x16	 B1 6,3*50mm x8
---	--



 (C1) 6*43mm x8	 (D1) 15/16 x8	 (D) ϕ 20mm x8
 (A1) 8*30mm x8		





 (C1) 6*43mm x8	 (D1) 15/16 x8	 (K1) x8
 (A1) 8*30mm x4		

